



# NiCo

## RESTRICTOR SAFETY CATCH



### FEATURES

Restricts opening to 100mm

Can be used with all Nico friction hinges

Easy to fit, no routing

Tested to BS6375 Part 2

High visibility, minimal maintenance

Suitable for uPVC, timber & aluminium profiles

10 year Guarantee

New from Nico, the Restrictor Safety Catch is the quick and easy way to limit window opening to 100mm in compliance with BS 8213 Part 1.

Suitable for uPVC, timber or aluminium window profiles, the Restrictor Safety Catch can be used in conjunction with all Nico friction hinges, including Standard, Security Plus and the popular Easy Clean Egress, to provide restricted operation.

The Nico Restrictor Safety Catch is easy to fit, with no routing of profile required. A unique patented mechanism with hidden spring and no sharp edges ensures ease of operation and maximum safety.

With a 10 year guarantee and corrosion protection to BS EN 1670 Class 4, the Nico Restrictor Safety Catch provides long-life window safety for new or retrofit installations.



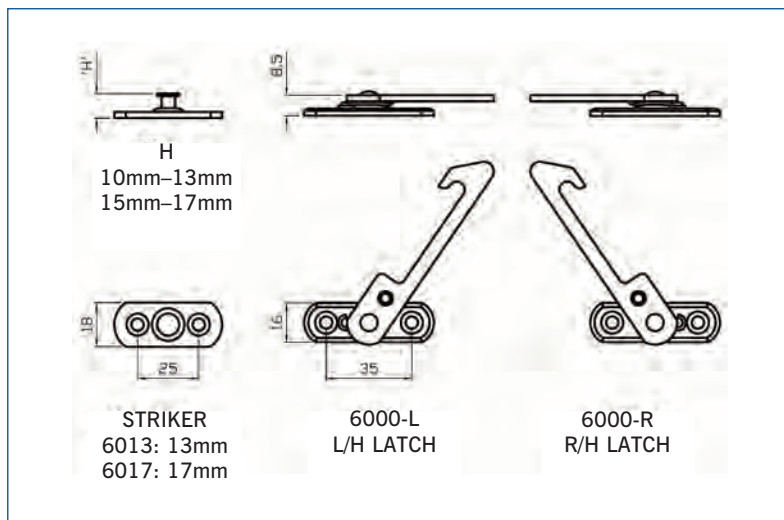
# TECHNICAL DATA

## FITTING INSTRUCTIONS

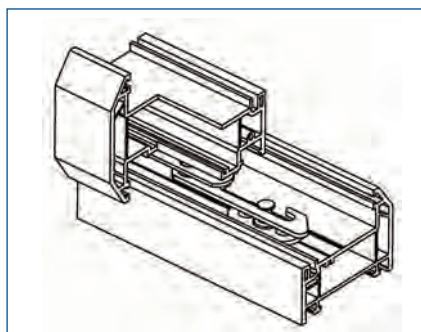
- 1 Secure the restrictor safety catch arm assembly to the sash using the same location groove as hinge, ensuring that the hook is facing towards you.
- 2 Position the striker plate on the frame using the same location groove as hinge channel, ensuring that striker pin locates fully in hook feature when opened.
- 3 Check opening does not exceed 100mm maximum. If a smaller opening is required, position catch further away from the hinge. For a larger opening, position catch closer to the hinge.  
NOTE. 100mm maximum must not be exceeded.

## MAINTENANCE

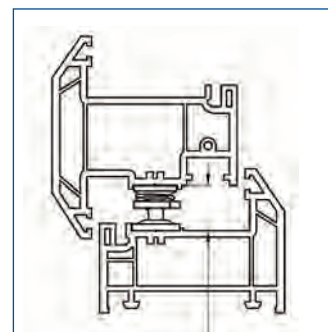
- 1 Check safety catch assembly pivots freely
- 2 Lubricate arm pivot using light oil, eg 3 in 1, once every three years.
- 3 Check fixing screws or rivets are secure.



## CATCH DIMENSIONS



ASSEMBLY



CAVITY

## SPECIFICATIONS

DESCRIPTION	PART NUMBER	BOXED QUANTITY
LH Restrictor Safety Catch	6000L	25
RH Restrictor Safety Catch	6000R	25
13mm Striker Pin Plate	6013	25
17mm Striker Pin Plate	6017	25



ISO 9001 Cert No: Q 09355

Nico Manufacturing Ltd, Oxford Road, Clacton-on-Sea, Essex CO15 3TJ, England.  
Tel: 01255 422333, Fax: 01255 432909, E-mail: sales@nico.co.uk, Web: www.nico.co.uk

Due to a policy of continual product improvement, we reserve the right to change specifications without notice. It is the sole responsibility of the window manufacturer to ensure that the finished window meets with the required safety and performance specifications.

**NiCo**  
THE FITTING CHOICE