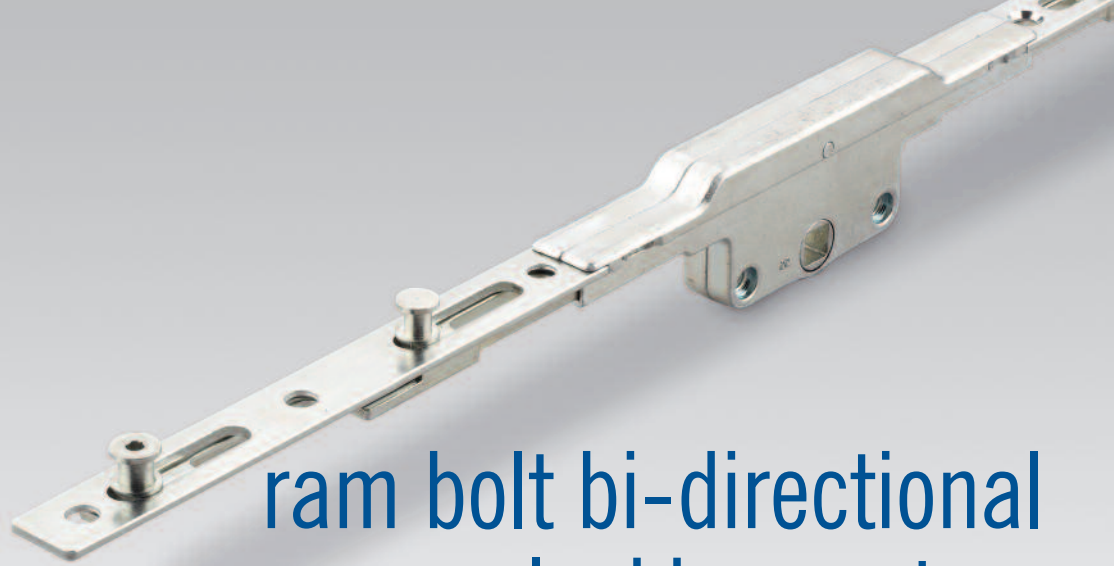


NiCo

www.nico.co.uk



ram bolt bi-directional locking system

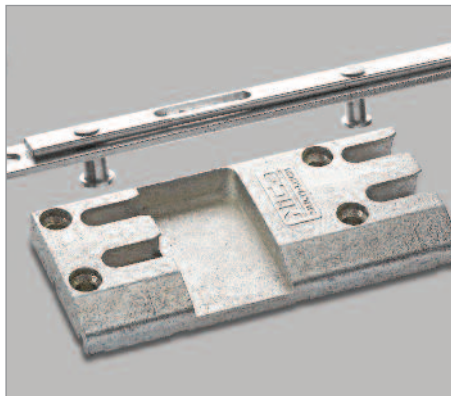
for high performance window security

The Nico RAM Bolt is a reverse action multipoint locking system with bi-directional cams that offers excellent strength and performance.

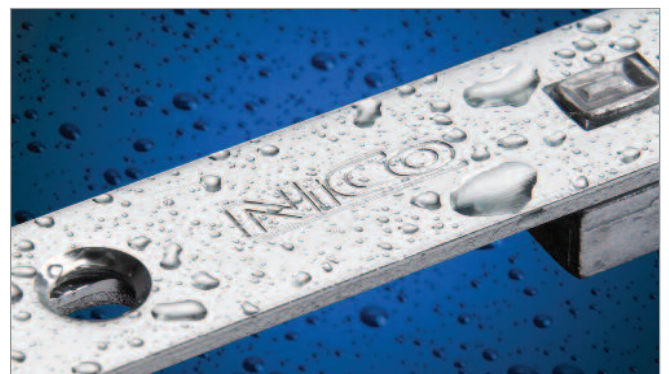
Easy to fit, the innovative, patented dual cam design will easily achieve the PASO 24:2016 Security Standard on most pvc-U and aluminium window profiles.

Like the rest of the UK-manufactured Nico Locking System Range, a quality build and robust profile-specific keeps combine to ensure a long reliable life and light, smooth closing action.

What is more, the attractive Supercoat 500 silver finish provides excellent corrosion protection.



ABOVE: Robust profile specific keeps with four fixing holes provide extra strength and security.



RIGHT: Nico Supercoat 500 is a special corrosion resistant coating. Test Results indicate that finished products have achieved grade 5 (exceptionally high resistance to corrosion) as defined in BS EN 1670:2007, making them suitable for coastal or industrial environments.

Secured by Design



Police Preferred Specification

SBD Approved Product

UK manufacture

Simple, secure and cost-effective

Multipoint bi-directional cam locking

Supercoat 500 silver corrosion resistant finish

Tested to PAS024:2016 as critical component

Patented design

For sales, call 01255 422333 or email sales@nico.co.uk

Fitting Instructions

Select a RAM Bolt of an appropriate length and backset.

Mark the desired centre for the handle mechanism, machine a slot in the centre of the Eurogroove 12mm (10.5mm min) x 90mm long.

Drill a 12mm hole on the above centre line, 22mm back from the front face of the RAM Bolt. Also drill two 10mm holes 21.5mm either side of the centre hole. (Note: these hole sizes may vary).

Secure the RAM Bolt in the sash ensuring that the handle driving mechanism is aligned with the handle mounting holes.

Set the RAM Bolt in an unlocked position and locate the keeps in the frame to clear the locking cams.

Check that the locking cams are fully engaged with the keeps when the RAM Bolt is locked.

Secure keeps to frame and adjust eccentric cams if necessary.

ram bolt locking system

Technical Data

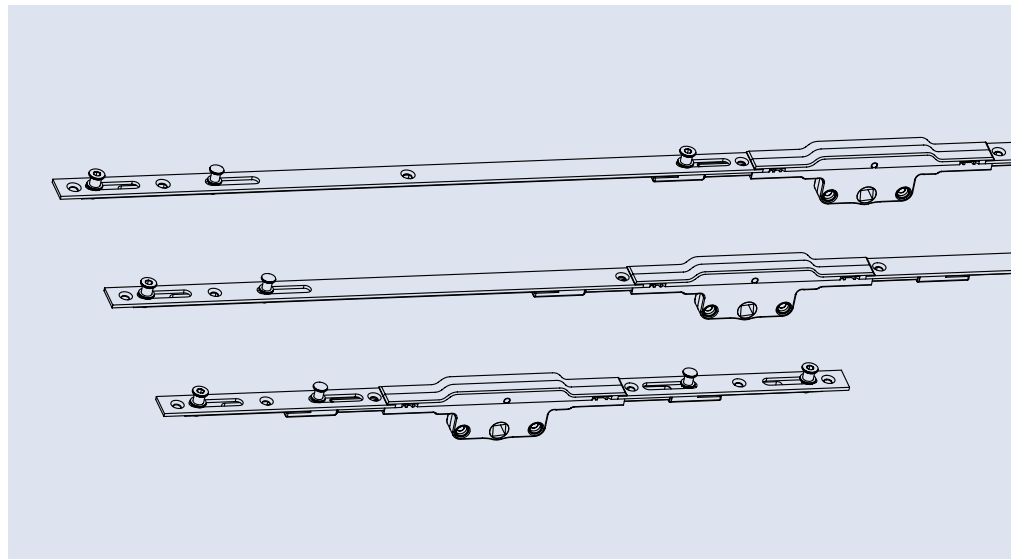
The RAM Bolt is easy to fit and has adjustable seal compression.

For fabricator convenience, it uses the same preparation as Nico Espagnolettes and Shootbolts, with common keeps across the complete Locking System range.

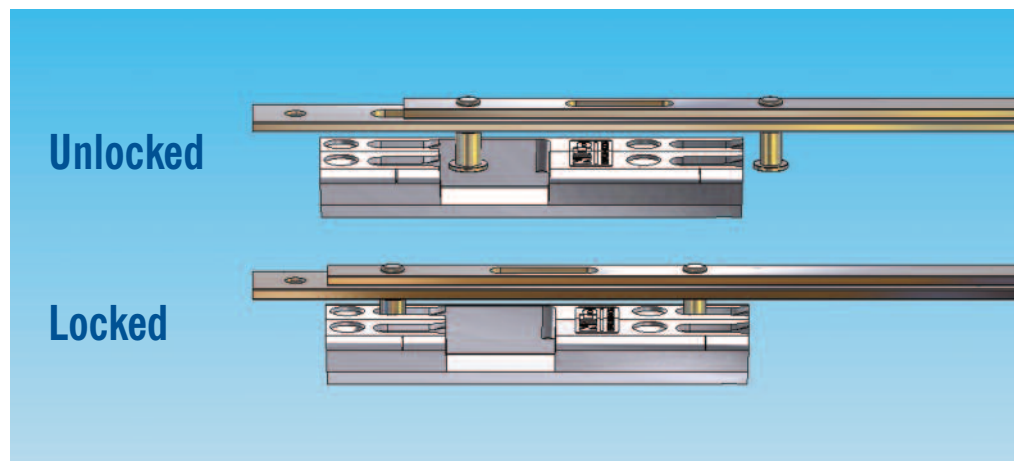
The RAM Bolt is tested to loads of more

5000N and has also completed endurance testing of over 30,000 cycles in the Nico Test Centre.

Eccentric 7.8mm or 9mm mushroom cams allow weatherseal pressure adjustment to +/- 1mm and heavy gauge materials and fixing points protect against attack.



How it Works



RAM Bolt

22mm RAM Bolt					
Description	Backset	Part Number 7.8 Cams	Part Number 9.0 Cams	Number Of Cams	Box Quantity
420mm RAM Bolt	22mm	958422	959422	4	20
550mm RAM Bolt	22mm	958622	959622	4	20
750mm RAM Bolt	22mm	958822	959822	4	20
950mm RAM Bolt	22mm	9581022	9591022	5	20
1150mm RAM Bolt	22mm	9581222	9591222	5	20



Nico Manufacturing Ltd

Oxford Road, Clacton-on-Sea
Essex CO15 3TJ, England.

Tel: 01255 422333

Fax: 01255 432909

E-mail: sales@nico.co.uk

Web: www.nico.co.uk

For sales, call 01255 422333 or email sales@nico.co.uk