

# NiCo

www.nico.co.uk



## security plus friction hinge

### easy fit for maximum security

The Nico Security Plus Hinge features a unique patented design for added strength, with a hooked nose bar and free moving nose cap that are designed to lock together when forced entry is attempted.



*The nosecap is designed to resist forced entry.*

As a result, the Security Plus Friction Hinge is the fast, easy way to provide added security to PVC-u, timber or aluminium windows. For even more security, it can be used with Nico X-tra Bolts.

The Security Plus Hinge has been endurance tested to 30,000 cycles in the Nico Test Centre.



*Nico Security Plus Hinge in 17mm high stack version.*

**Secured by Design**



**Police Preferred Specification**

**SBD Approved Product  
with Nico X-tra Bolts**

**Meets PAS024:2016  
as critical component**

**UK manufacture**

**Fast simple installation**

**Patented design**

**Security and endurance  
tested**

**Robust construction and  
smooth action**

**For sales, call 01255 422333 or email [sales@nico.co.uk](mailto:sales@nico.co.uk)**

## Technical Data

### Fitting Instructions

Nico Friction Hinges are designed to make fitting as simple as possible. There are slotted fixing holes in the base channel and sash bar, with final fixing holes in each component. This configuration allows a maximum of sash to frame adjustment during fitting and window installation.

Friction Hinge mounting faces must be flat, parallel and provide the correct cavity clearance, 13mm or 17mm (-0mm+1mm).

Friction Hinges should be fitted with the end-cap abutting the corner of the window frame. The centre line of both vent and frame arm should be coincidental and parallel.

Size and weight parameters are to be strictly observed – please refer to Nico for other applications.

After installation, the friction screw should be adjusted to obtain the desired resistance.

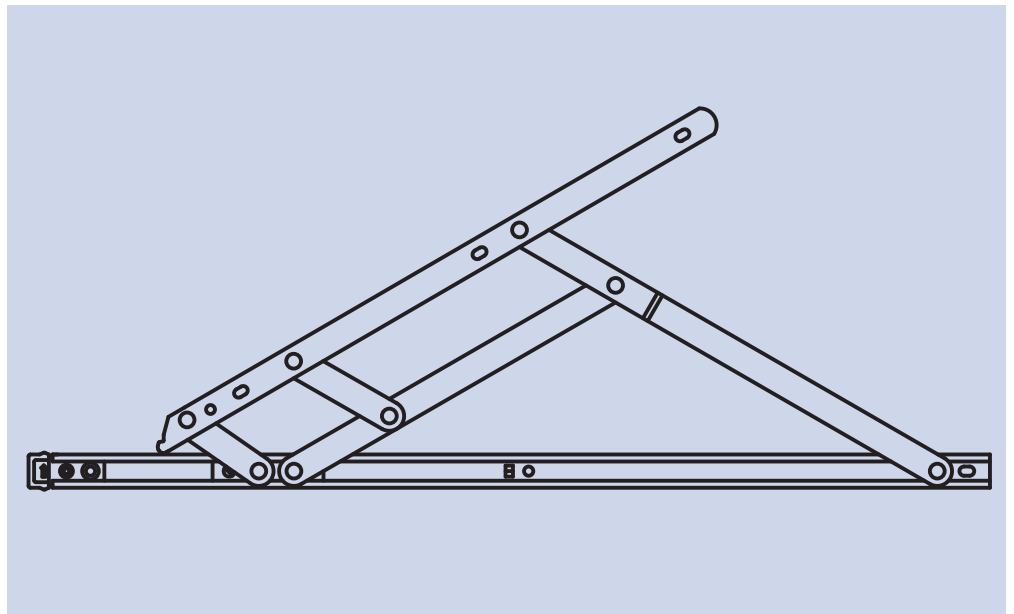
All window hardware requires regular inspection, cleaning and maintenance for optimum performance.

Designed after extensive research and development, the Nico Security Plus Hinge combines fabricator-friendly design with strength and value.

With no need for jigs or additional, time-consuming operations, the Hinge is as easy and fast to fit as a standard Friction Hinge. The nose cap requires no fixing and there are no exposed holes after fitting.

The Security Plus Hinge is available in a range of sizes, from 200mm to 600mm for top hung windows, 300mm and 400mm for side hung windows.

13mm and 17mm stack heights suit most profiles. There are slotted fixing holes in the base channel and sash bar with final fixing holes in each component to provide maximum sash/frame adjustment.



### Security Plus Hinge

<b>Size</b>	200mm (8")	250mm (10")	300mm (12")	300mm (12")
<b>Vent Type</b>	Top Hung	Top Hung	Top Hung	Side Hung
<b>Max Vent Width</b>	1200mm	1200mm	1200mm	600mm
<b>Max Vent Height</b>	350mm	400mm	550mm	1300mm
<b>Max Vent Weight</b>	12kg	16kg	20kg	22kg
<b>Opening Angle</b>	60°	65°	60°	60°
<b>Bulk Packed</b>	20	40	40	40
<b>Order No.13mm LH</b>	8010L	8020L	8035L	8035L
<b>Order No.13mm RH</b>	8010R	8020R	8035R	8035R
<b>Order No.17mm LH</b>	8110L	8120L	8135L	8135L
<b>Order No.17mm RH</b>	8110R	8120R	8135R	8135R
<b>Size</b>	400mm (16")	400mm (16")	500mm (20")	600mm (24")
<b>Vent Type</b>	Top Hung	Side Hung	Top Hung	Top Hung
<b>Max Vent Width</b>	1200mm	700mm	1000mm	1200mm
<b>Max Vent Height</b>	750mm	1300mm	1000mm	1200mm
<b>Max Vent Weight</b>	21kg	24kg	24kg	35kg
<b>Opening Angle</b>	60°	60°	52°	38°
<b>Bulk Packed</b>	40	40	20	20
<b>Order No.13mm LH</b>	8045L	8040L	8050L	8060L
<b>Order No.13mm RH</b>	8045R	8040R	8050R	8060R
<b>Order No.17mm LH</b>	8145L	8140L	8150L	8160L
<b>Order No.17mm RH</b>	8145R	8140R	8150R	8160R



ISO 9001 Cert No: Q 09355

### Nico Manufacturing Ltd

Oxford Road, Clacton-on-Sea  
Essex CO15 3TJ, England.

Tel: 01255 422333

Fax: 01255 432909

E-mail: sales@nico.co.uk

Web: www.nico.co.uk

**For sales, call 01255 422333 or email sales@nico.co.uk**