

# NiCo

www.nico.co.uk



## retractable espagnolette

### secure solution for flush fit windows

The Nico Retractable Espagnolette is a high performance security locking system that is exceptionally strong and easy to fit.

A minimum of two high security hooks project 17mm in the locked position and retract fully in the open position, which is ideal for windows with minimal air gaps. With a smooth closing action and secure locking design, the Retractable Espagnolette will easily meet the requirements of PAS024:2016 as a critical component.

Like the rest of the UK manufactured Nico Locking System Range, a quality build and robust profile-specific steel keeps combine to ensure a long reliable life. And the attractive Supercoat 500 silver finish provides excellent corrosion protection.

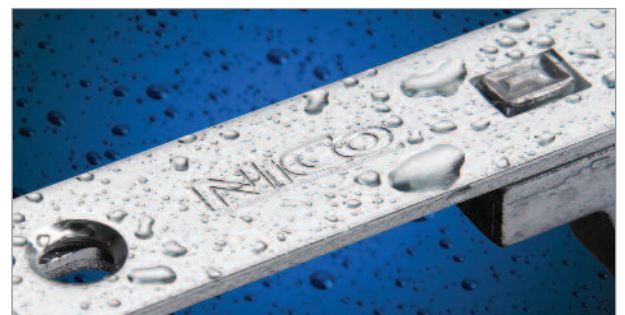
Low handle height options are also available on request.



ABOVE: Steel keep with night vent position finished in Supercoat 500 corrosion-resistant finish.



ABOVE: Standard locking position keep without night vent position finished in Supercoat 500 corrosion-resistant finish.



RIGHT: Nico Supercoat 500 is a special corrosion resistant coating. Test Results indicate that finished products have achieved grade 5 (exceptionally high resistance to corrosion) as defined in BS EN 1670:2007, making them suitable for coastal or industrial environments.

Secured by Design



Police Preferred Specification

**MADE IN BRITAIN**

Simple, secure and cost-effective

Fully retractable hooks

Sizes from 200mm to 1340mm

Low handle option

10 year guarantee

Meets PAS024:2016 as a critical component

Supercoat 500 silver corrosion resistant finish

For sales, call 01255 422333 or email [sales@nico.co.uk](mailto:sales@nico.co.uk)

## Fitting Instructions

Select a Retractable Espagnolette of an appropriate length and backset.

Mark the desired centre for the handle mechanism, machine a slot in the centre of the Eurogroove 12mm x 90mm long.

Drill a 12mm hole on the above centre line, 20mm, 22mm, 25mm or 30mm back from the front face of the Espagnolette. Also drill two 10mm holes 21.5mm either side of the centre hole. (Note: these hole sizes may vary)

Secure the Espagnolette in the sash ensuring that the handle driving mechanism is aligned with the handle mounting holes.

Align keeps with the hook pockets on the espagnolette.

Ensure there is sufficient clearance under the keep to allow the hooks to engage fully.

Secure keeps to frame.

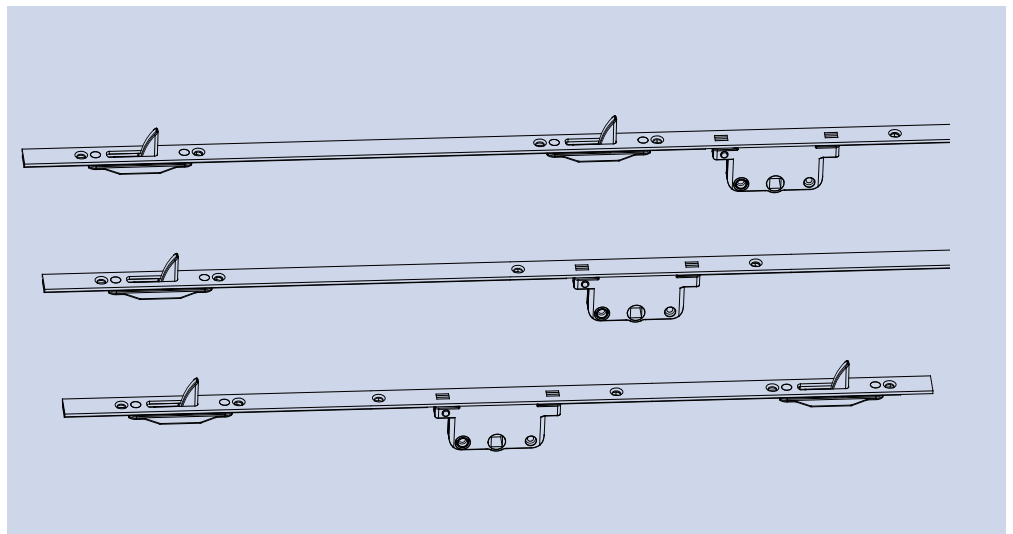
## Technical Data

The Nico Retractable Espagnolette is an easy to fit assembly with the same preparation requirements as Nico Espagnolettes and Shootbolts.

Two to four high security hooks per bolt are operated by a standard espagnolette handle with a 7mm square spindle drive and fixing holes at 43mm centres. Steel keeps are available and include a night vent position.

The Retractable Espagnolette fits into a 16mm Eurogroove and is available in four backsets: 20mm, 22mm, 25mm and 30mm.

Like the rest of the Nico Security Range, the Retractable Espagnolette has been endurance tested over a 30,000 duty cycle in the Nico Test Centre.



## Retractable Espagnolette

Description	20mm Backset	22mm Backset	25mm Backset	30mm Backset	No. of Hooks	Box Quantity
200mm Retractable	962020	962022	962025	962030	1	20
350mm Retractable	963520	963522	963525	963530	2	20
540mm Retractable	965420	965422	965425	965430	2	20
740mm Retractable	967420	967422	967425	967430	2	20
940mm Retractable	969420	969422	969425	969430	3	20
1140mm Retractable	9611420	9611422	9611425	9611430	4	20
1340mm Retractable	9613420	9613422	9613425	9613430	4	20
Steel Night Vent Keep	9640S5	Box Quantity: 200				
Standard Keep	964255	Box Quantity: 200				



ISO 9001 Cert No: Q 09355

### Nico Manufacturing Ltd

Oxford Road, Clacton-on-Sea  
Essex CO15 3TJ, England.

Tel: 01255 422333

Fax: 01255 432909

E-mail: sales@nico.co.uk

Web: www.nico.co.uk

For sales, call 01255 422333 or email sales@nico.co.uk