

NiCo

www.nico.co.uk



restrictor friction hinge

with built-in safety restrictor

The Nico Restrictor Hinge is a simple, effective way to restrict initial window opening to 100mm to comply with BS8213-1: 2004 'Code of Practice for Safety in Use and in Cleaning'.

The unobtrusive mechanism, which is integral to the hinge and designed to be less tempting to children, requires a level of strength and dexterity to operate and two hands are required to coordinate opening, giving added protection. An automatic reset facility ensures safe operation at all times.

Windows incorporating the Restrictor Hinge have been tested to and met the requirements of BSEN14351-1:2006 'Load bearing capacity of safety devices' and BS6375-2:2009 'Performance of windows and Doors'. They have also been endurance tested in the Nico Test Centre with their maximum load carrying capacity over 30,000 cycles.



RIGHT: The Nico Restrictor Friction Hinge features an automatic reset facility mechanism to ensure safe operation at all times.



Secured by Design



Police Preferred Specification

MADE IN BRITAIN

**SBD Approved Product
with Nico X-tra Bolts**

**Unique design for
strength, performance
and safe cleaning**

**Designed to prevent
accidental operation**

**Meets PAS024:2016
as a critical component**

**Complies with
BSEN14351-1:2006
BS6375-2:2009 and
BS8213-1: 2004**

**ISO 9001:2015
Manufacturer**

For sales, call 01255 422333 or email sales@nico.co.uk

Fitting Instructions

Nico Friction Hinges are designed to make fitting as simple as possible. There are slotted fixing holes in the base channel and sash bar, with final fixing holes in each component. This configuration allows a maximum of sash to frame adjustment during fitting and window installation.

Friction Hinge mounting faces must be flat, parallel and provide the correct cavity clearance, 13mm or 17mm (-0mm+1mm).

Friction Hinges should be fitted with the end-cap abutting the corner of the window frame. The centre line of both vent and frame arms should be coincidental and parallel.

Size and weight parameters are to be strictly observed – please refer to Nico for other applications.

After installation, the friction screw should be adjusted to obtain the desired resistance.

restrictor friction hinge

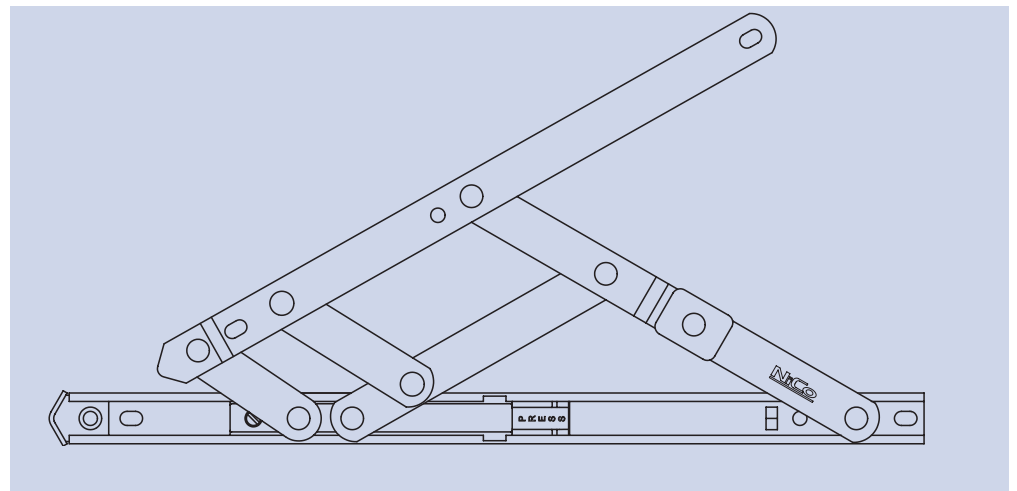
Technical Data

Manufactured from stainless steel with excellent load bearing characteristics, the Nico Restrictor Hinge requires coordinated two-handed operation to achieve the full ventilation position.

Suitable for PVCu, timber or aluminium windows, the Restrictor Hinge comes in a range of sizes, from 300mm to 600mm, in 13mm and 17mm stack heights.

Specifications involving 500mm and 600mm products may require two Restrictor Hinges per window dependent upon application.

For fabricator convenience, the Restrictor Hinge has identical geometry to the rest of the Nico range of Friction Hinges.



Alternative Restrictor Techniques

Nico also offers alternative ways to restrict window opening in compliance with British Standards and Building Regulations.

PERMANENT RESTRICTOR FRICTION HINGE – non-releasable.

RESTRICTOR ARM – prevents uncontrolled opening of windows and French Doors and risk of slamming and swinging.

RESTRICTOR SAFETY CATCH – limits window opening to 100mm.

HEALTHCARE RESTRICTOR – prevents deliberate attempts to force open windows.

Restrictor Hinge

Size	300mm (12")	400mm (16")	500mm (20")	600mm (24")	300mm (12")	400mm (16")
Vent Type	Top Hung	Top Hung	Top Hung	Top Hung	Side Hung	Side Hung
Max Vent Width	n/a	n/a	n/a	n/a	600mm	700mm
Max Vent Height	550mm	750mm	1000mm	1200mm	n/a	n/a
Max Vent Weight	22kg	26kg	28kg	40kg	22kg	26kg
Opening Angle	60°	60°	52°	38°	60°	60°
13mm RANGE						
Bulk Packed	50	50	25	25	50	50
Order No.	7935	7940	7950	7960	7935	7940
17mm RANGE						
Bulk Packed	50	50	25	25	50	50
Order No.LH	8335L	8340L	8350L	8360L	8335L	8340L
Order No.RH	8335R	8340R	8350R	8360R	8335R	8340R

For sales, call 01255 422333 or email sales@nico.co.uk

Secured by Design



Official Police Security Initiative

A SBD Member Company



ISO 9001 Cert No: Q 09355

Nico Manufacturing Ltd

Oxford Road, Clacton-on-Sea
Essex CO15 3TJ, England.

Tel: 01255 422333

Fax: 01255 432909

E-mail: sales@nico.co.uk

Web: www.nico.co.uk