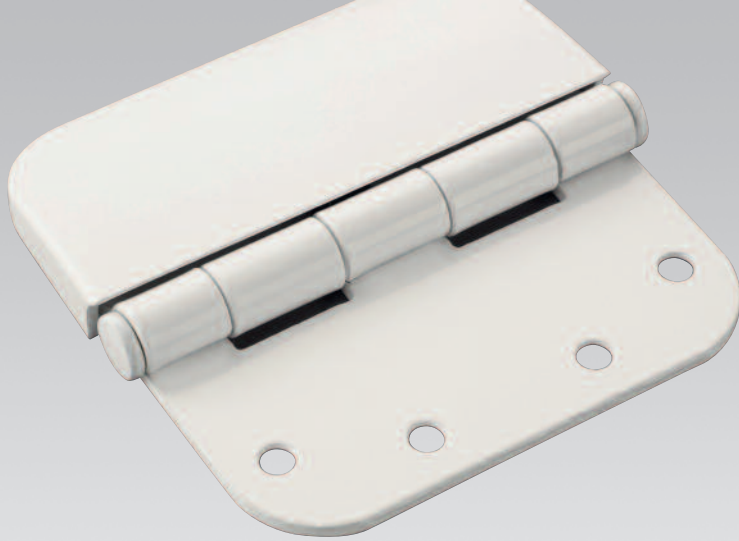


NiCo

www.nico.co.uk



2d adjustable hinge

for door & window applications



The Nico 2D Adjustable Hinge for doors and windows has been developed for long life performance.

Robustly constructed from carbon steel for smooth reliable operation, the Nico 2D Hinge is adjustable in two directions.

Available in a wide choice of finishes and potentially any RAL powder coated colour, the hinge is designed to carry a load of up to 60kg on two or three hinges.

Secured by Design



Official Police Security Initiative

MADE IN BRITAIN

SBD Member Company

60kg load capability

2 way adjustment

Choice of decorative finishes

**Complies with
BS EN1935:2002**

**ISO 9001:2015
Manufacturer**



TOP: Nico 2D Adjustable Hinge fitted to uPVC door profile showing open position.

ABOVE: Nico 2D Adjustable Door Hinges in selection of finishes (left to right: chrome plated, polished brass, black RAL powder coated).

For sales call 01255 422333 or email sales@nico.co.uk

Fitting Instructions

Locate the hinge leaf in the prepared recess/rebate on the outer frame, using the hinge roll to locate the leaf front and back. Fix into position using screws.

With the hinge fully open, position the door and secure with screws through the middle of the fixing slots.

Slide the door hinge cover over the hinge leaf to complete installation. Ensure the cover retaining catch is held firmly.

Cover Removal

Open the door and release the cover retaining catch through the gap between the frame and the door. Slide the cover off the hinge leaf.

Finishes available to order

A wide range of alternative finishes is available on request, including all RAL Colours.

Special finishes are subject to minimum order quantities.

2d adjustable door hinge

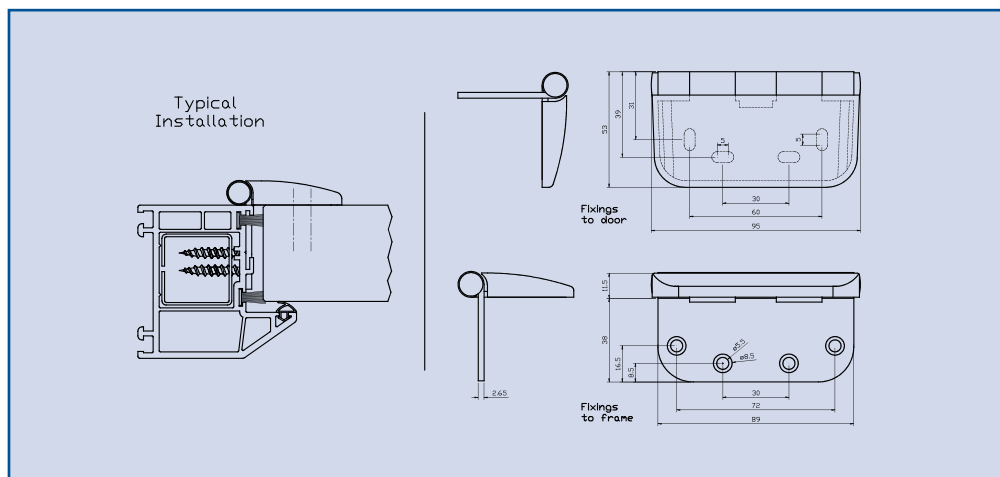
Technical Data

The Nico 2D Adjustable Door Hinge complies with BS EN1935:2002 Building Hardware for Single Axis Hinges.

The hinge allows adjustment to be made in 2 directions.

+/- 2.5mm Height

+/- 2.5mm Side



2D Adjustable Hinge

4950 2D Adjustable Hinge

Product Code	Size	Finish	Box Quantity
4950 BL	38mm x 89mm	Black	10/40
4950 WH	38mm x 89mm	White	10/40
4950 CH	38mm x 89mm	Chrome	10/40
4950 PB	38mm x 89mm	Brass	10/40

PLEASE NOTE: Please refer to www.nico.co.uk/support/technical-support/product-finishes for corrosion resistance and applications.

Secured by Design



Official Police Security Initiative

A SBD Member Company



ISO 9001 Cert No: Q 09355

Nico Manufacturing Ltd

Oxford Road, Clacton-on-Sea
Essex CO15 3TJ, England.

Tel: 01255 422333

Fax: 01255 432909

E-mail: sales@nico.co.uk

Web: www.nico.co.uk

For sales call 01255 422333 or email sales@nico.co.uk