

NiCo

www.nico.co.uk



restricted egress friction hinge

for the prevention of falls
and easy exit in event of fire

Part of the Nico range of high performance friction hinges, the Nico Restricted Egress Friction Hinge combines the features of standard restrictor and egress hinges to offer a safe and easy way to comply with building regulations.



ABOVE: A simple mechanism releases the window in the event of fire to provide a safe exit.

When used with Nico Xtra-Bolts it has been successfully tested as a critical component within PAS024:2016.

With increasing demands from specifiers for a product that prevents occupants from falling, yet allows a quick escape route in the event of fire, the Nico Restricted Egress Hinge wins on both counts.

Supplied in matched pairs, the Restricted Egress Hinge is fitted to the bottom of the sash with a matched unrestricted hinge fitted to the top.

Like the rest of the Nico range, the Restricted Egress Hinge is manufactured from all stainless steel construction for long-life, reliable performance.

Secured by Design



Official Police Security Initiative

MADE IN BRITAIN

SBD Member Company

**Integrated egress and
restrictor function**

**Cost-effective and robust
solution**

**Suitable for PVCu, timber
and aluminium profiles**

**Complies with Building
Regulations Part B 2013**

BS6375-2:2009

BS8213-1:2004

BS9991:2015

**ISO 9001:2015
Manufacturer**

For sales, call 01255 422333 or email sales@nico.co.uk

Fitting Instructions

Friction Hinge mounting faces must be flat, parallel and provide the correct cavity clearance, 13mm or 17mm (-0mm+1mm).

Friction Hinges should be fitted with the end-cap abutting the corner of the window frame.

The centre line of both vent and frame arms should be coincidental and parallel.

Size and weight parameters are to be strictly observed – please refer to Nico for other applications.

After installation, the friction screw should be adjusted to obtain the desired resistance.

All window hardware will require regular inspection, cleaning and maintenance in order to operate in the manner for which they have been designed.

restricted egress hinge

Technical Data

The Nico Restricted Egress Friction Hinge comprises a 300mm or 400mm handed hinge supplied with matching unrestricted hinge

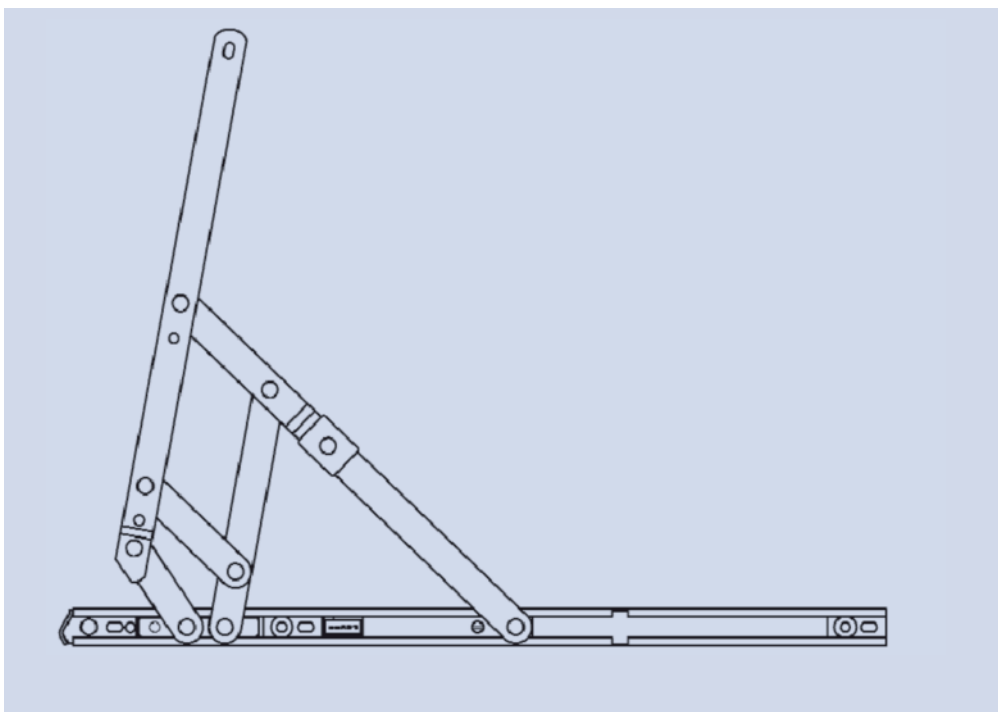
Manufactured in stainless steel, it is suitable for PVCu, aluminium and timber windows, with a choice of 13mm and 17mm stack heights to suit most profiles.

Slotted fixing holes in base channel and sash bar with final fixing hole in each

component provide maximum sash/frame adjustment.

The full ventilation opening position requires coordinated two handed operation.

An integral restrictor mechanism restricts initial opening to 100mm, and all hinges have been endurance tested in the Nico Test Centre with their maximum load carrying capacity over 30,000 cycles.



Restricted Egress Hinge

Size	300mm (12")	400mm (16")
Vent Type	Side Hung	Side Hung
Max Vent Width	600mm	700mm
Max Vent Height	1300mm	1300mm
Max Vent Weight	20kg	24kg
Opening Angle	85°	75°
13mm RANGE		
Bulk Packed	25 Pairs	25 Pairs
Order No. LH	8431L	8441L
Order No. RH	8431R	8441R
17mm RANGE		
Bulk Packed	25 Pairs	25 Pairs
Order No. LH	8436L	8446L
Order No. RH	8436R	8446R

Secured by Design



Official Police Security Initiative

A SBD Member Company



ISO 9001 Cert No: Q 09355

Nico Manufacturing Ltd

Oxford Road, Clacton-on-Sea
Essex CO15 3TJ, England.

Tel: 01255 422333

Fax: 01255 432909

E-mail: sales@nico.co.uk

Web: www.nico.co.uk

For sales, call 01255 422333 or email sales@nico.co.uk